

PSC-ID-M-FM-600 | Microwave Occupancy Sensor

Basic Features

- Superior motion detection in a single compact unit
- Suitable for indoor, IP 20 or mounted behind lens/or suitable enclosure
- Universal Input Voltage (120-277VAC, 50/60Hz)
- Does NOT require an additional power pack
- Fixture mount, with Bottom and Side Mount Options
- Time-delay and sensitivity controls
- Photocell for daylight sensing



Applications

The PSC-ID-M-FM-600 microwave occupancy sensor has a distinct advantage over PIR sensors: it can “see” through many low density materials such as glass, wood, or plastic.

Small form factor is also key in the design of this sensor. Readily mountable with Side or Bottom NPT 3/8” options.

Photocell sensitivity, sensor range, and time delay settings can be adjusted using the dip switches on the side of the unit. Make sure power is disconnected when making adjustments.

Sensor Operation

The PSC-ID-M-FM-600 microwave occupancy sensor is a line voltage sensor that turns lights on/off depending on a room’s occupancy. It detects motion by sending out electromagnetic waves and measuring the relative change in frequency of the return waves. The sensor operates at a frequency of 5.8Ghz.

For best performance the sensor should be installed at 2-3m height for wall mounting and 1.8-2.5m for ceiling mount. Sensing pattern will vary based on the particular mounting method used.

Photocell Operation

A photocell is integrated into each sensor unit for ambient light detection; it can be set to “ON” or “OFF”.

ON: the signal from the photocell will prevent lighting from turning on if there is sufficient ambient light. This is sometimes called “Daylight” mode.

OFF: the signal from the photocell is ignored. Lighting is controlled only by motion detection. This is sometimes called “Night” mode.

How to Order

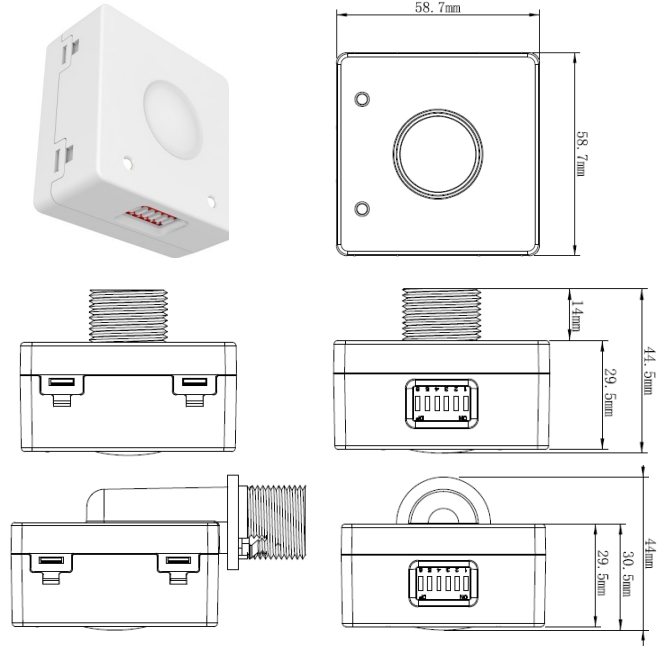
Model No.	Description	Input Voltage	Max Load
PSC-ID-M-FM-600	5.8 GHz Microwave Occupancy Sensor	120-277VAC, 50/60Hz	600VA @120VAC Tungsten 600VA @120VAC Ballast 600VA @277VAC Ballast

Specifications: PSC-ID-M-FM-600

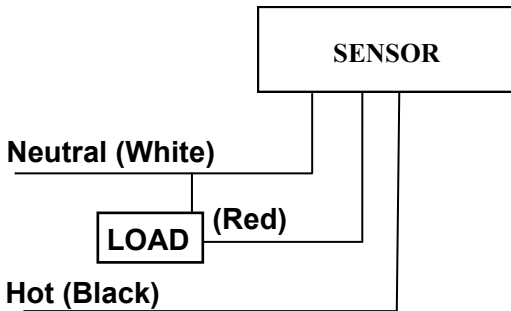
Overview

Sensor Type	Microwave 5.8 GHz
Input Voltage	120-277VAC, 50/60Hz
Max Load (Tungsten)	600VA @ 120VAC
Max Load (Ballast)	600VA @ 120VAC 600VA @ 277VAC
Max Sensor Range	10m diameter @ 3m mounting
Time Delay	5 sec to 30 min
Photocell Sensitivity	ON @ 30 Lux; OFF @ >100 Lux
Operating Temperature	-20° to 45°C
Storage Temperature	-20° to 60°C
Relative Humidity	20-90% non-condensing
Color	White
IP Rating	IP 20
Warranty	5 years
Certifications	UL/cUL Listed E341446

Dimensions



Wiring Diagram

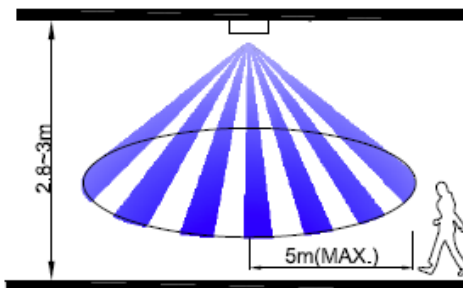


Settings Adjustment

Microwave Sensor Dipswitches		
Time Delay:	Sensor Range:	Photocell:
1 2 3	4 5	6
↓ ↓ ↓ 5 sec (test)	↓ ↓ 5 m	↓ OFF
↓ ↓ ↑ 30 sec	↓ ↑ 4 m	↑ ON
↓ ↑ ↓ 1 min	↑ ↓ 2 m	
↓ ↑ ↑ 3 min	↑ ↑ 1 m	
↑ ↓ ↓ 5 min		
↑ ↓ ↑ 10 min		
↑ ↑ ↓ 20 min		
↑ ↑ ↑ 30 min		

Detection Area

Ceiling mounting (3m height)



Wall mounting (2.5m height)

